

- 可提供工业级、军品级产品 both industrial and military level products available
- 多指刷专利号 Patent No. of the multi-finger brush: ZL 96 2 33419.7
- 适用于电子仪器仪表线路中作微调电阻和分压器使用 used as trimmer and voltage divider in electronic instrument and meters

WIW21(3006P)型玻璃釉预调电位器 WIW21 (3006P) Cermet trimmer

■ 适用标准 Applicable specifications

- GB/T 15298-94 电子设备用电位器 第一部分: 总规范
- Q/RU130-1995 WIW21 型玻璃釉预调电位器详细规范

■ 电特性 Electrical characteristics

- 标称阻值范围 Range of nominal resistance (Ω): 10~2.2M
- 阻值允许偏差 Resistance tolerance: $\pm 10\%$, $\pm 20\%$
- 终端电阻 Terminal resistance: $\leq 2\Omega$
- 接触电阻变化 Contact resistance variation:
CRV $\leq 1\%R$ or 5Ω (取较大者, whichever greater)
- 绝缘电阻 Insulation Resistance: $R_i \geq 1G\Omega(100V_{DC})$
- 耐电压 Dielectric withstand voltage: $640 V_{AC}$
- 极限动触点电流 limiting moving contact current: 100mA
- 有效电行程 Effective Electrical travel: ≥ 12 turns

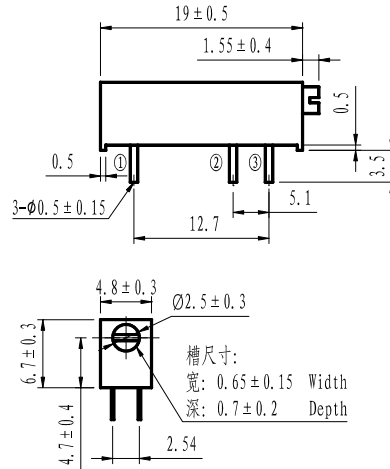
■ 环境特性 Environmental characteristics

- 额定功率 Rated Power
0.75W@70°C, 0W@125°C
- 温度范围 Temperature range (°C): -55~+125
- 电阻温度系数 TCR: $\leq \pm 250 \times 10^{-6}/^{\circ}C$
- 碰撞 Bump: 390m/s², 4000times;
 $\Delta R \leq \pm(2\%R + 0.1\Omega)$
- 温度变化 Change of temperature
-55°C, 30min, +125°C, 30min, 5 times;
 $\Delta R \leq \pm(5\%R + 0.1\Omega)$, $\Delta(U_{ab}/U_{ac}) \leq \pm 5\%$
- 振动 Vibration
0.75mm or 98 m/s², 6h
 $\Delta R \leq \pm(2\%R + 0.1\Omega)$, $\Delta(U_{ab}/U_{ac}) \leq \pm 3\%$
- 气候顺序 Climate sequence(meet IEC68-2-2 etc.)
 $\Delta R \leq \pm(5\%R + 0.1\Omega)$, $R_i \geq 100M\Omega$
- 电气耐久性 Electrical endurance
 $\Delta R \leq \pm(5\%R + 0.1\Omega)$,
CRV $\leq 5\%R$ or 5Ω (取较大者, whichever greater)
- 机械耐久性 Mechanical endurance
200 turns, $\Delta R \leq \pm(5\%R + 0.1\Omega)$
CRV $\leq 5\%R$ or 5Ω (取较大者)
- 稳态湿热 damp heat, steady heat
按 IEC68-2-3(as specified in IEC68-2-3), Ca, 96h
 $\Delta R \leq \pm(5\%R + 0.1\Omega)$, $R_i \geq 100M\Omega$

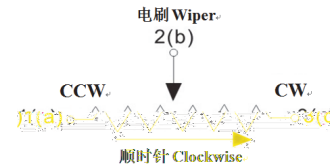
■ 物理特性 Physical characteristics

- 总机械行程 Total mechanical travel: (22 \pm 5) turns
- 启动力矩 Operating torque: $\leq 35mN \cdot m$
- 标志: 型号、阻值允许偏差 ($\pm 10\%$ 不标注)、阻值代码
Marking: Type, Resistance Tolerance (Tolerance is $\pm 10\%$, unless otherwise specified), Resistance code
- 标准包装 Standard package: 25pcs/box

■ 外形尺寸图 Dimensions



■ 电路图 Circuit diagram



■ 标称阻值表

Nominal resistance table

阻值(Ω)Resistance (in ohms)	
10	5K
20	10K
50	20K
100	50K
200	100K
500	200K
1K	500K
2K	1M
	2M
	2.2M

■ 订货指南 Ordering information

3006-P-103

型号 Type - 引出端形式 Style -
标称阻值 Resistance code