

both industrial and military level products available
used as trimmer and voltage

divider in electronic instrument and meters

WIW24(3059)
WIW24(3059) Cermet trimmer

Applicable Specifications

GB/T 15298-94
Q/RU126-1999 WIW24

Electrical Characteristics

Range of nominal resistance (): 100 1M
Resistance tolerance: $\pm 10\%$, $\pm 20\%$
Terminal resistance: 1%R or 10
(, whichever greater)
Contact resistance variation:
CRV 5%R or 5 (, whichever greater)
Insulation Resistance: $R_i \geq 1G$ (100V_{DC})
Dielectric withstand voltage: 640 V_{AC} peak value
limiting moving contact current: 100mA
Effective Electrical travel: 25 turns

Environmental Characteristics

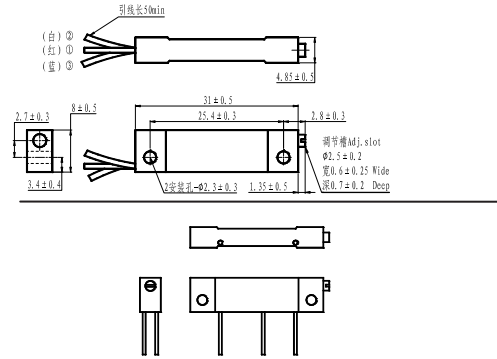
Rated Power
1W@70°C, 0W@100°C
Temperature range (°C): -55 +100
TCR: $\pm 500 \times 10^{-6}/^\circ C$
Bump: 390m/s², 4000 times;
 $\Delta R \pm (2\%R + 0.1)$
Change of temperature
-55°C, 30min, +100°C, 30min, 5times;
 $\Delta R \pm (5\%R + 0.1)$, $\Delta(U_{ab}/U_{ac}) \pm 5\%$
shock: 490m/s², 11ms: $\Delta R \pm (5\%R + 0.1)$
Vibration
(10 500)Hz, 0.75mm, 6h
 $\Delta R \pm (5\%R + 0.1)$, $\Delta(U_{ab}/U_{ac}) \pm 7.5\%$
Climate sequence(meet IEC68-2-2 etc.)
 $\Delta R \pm (10\%R + 0.5)$, $R_i \geq 100M$
Electrical endurance
1W, 1000h;
 $\Delta R \pm (10\%R + 0.5)$,
CRV 5%R or 5 (, whichever greater)
Mechanical endurance
200 turns, $\Delta R \pm (10\%R + 0.5)$
CRV 5%R or 5 (, whichever greater)
damp heat, steady heat
IEC68-2-3(as specified in IEC68-2-3), Ca, 96h
 $\Delta R \pm (5\%R + 0.1)$, $R_i \geq 100M$

Physical Characteristics

Total mechanical travel: (40± 5) turns
Operating torque: 35mN•m
 $\pm 10\%$

Marking: Type Resistance Tolerance (Tolerance is $\pm 10\%$, unless otherwise specified , Resistance code, production date
Standard package: 100pcs/box

Dimensions



Circuit Diagram

Nominal Resistance Table

()Resistance (in ohms)	
100	20K
200	50K
500	100K
1K	200K
2K	500K
5K	1M
10K	

Ordering Information

WIW24 - 1 - 10KΩ-K

Type - Style -
Nominal Resistance - Tolerance