

国军标产品

■ 军用电子元器件质量认证合格证书编号
COC-P-1502-2006

WIW31(3339)型玻璃釉预调电位器 WIW31(3339)Cermet trimmer

■ 适用标准 Applicable specifications

- GJB918-90 非线性预调电位器总规范
- Q/RU20918.3-2004 WIW31 型玻璃釉预调电位器详细规范

■ 电特性 Electrical characteristics

- 标称阻值范围 Range of rated resistance (Ω): 100~1M
- 阻值允许偏差 Resistance tolerance: $\pm 10\%$
- 终端电阻 Terminal resistance: $\leq 1\%R$ or 2Ω (取较大者)
 $\leq 1\%R$ or 2Ω , whichever greater
- 接触电阻变化 Contact resistance variation: $CRV \leq 2\%R$
- 绝缘电阻 Insulation Resistance: $R_i \geq 1G\Omega$ ($500V_{DC}$)
- 介质耐电压 Dielectric withstand voltage: $500 V_{AC}$
- 极限动触点电流 limiting moving contact current: 100mA
- 有效电行程 Effective Electrical travel: ≥ 3 turns

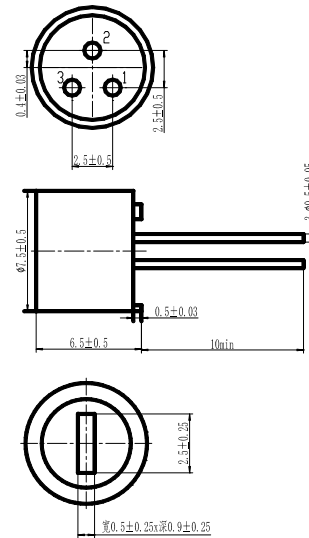
■ 环境特性 Environmental characteristics

- 额定功率 Rated Power
 $0.5W @ 70^\circ C$, $0W @ 125^\circ C$
- 温度范围 Temperature Range: $-55^\circ C \sim +125^\circ C$
- 电阻温度系数 TCR: $\leq \pm 250 \times 10^{-6} / ^\circ C$
- 温度冲击 Thermal Shock
 $-65^\circ C \sim +125^\circ C$, 15min, 5times;
 $\Delta R \leq \pm 3\%R$, $\Delta(U_{ab}/U_{ac}) \leq \pm 2\%$
- 冲击 Shock 100g, 6ms;
 $\Delta R \leq \pm 2\%R$; $\Delta(U_{ab}/U_{ac}) \leq \pm 2\%$
- 高频振动 High Frequency Vibration
(10~2000)Hz, 0.75mm or 10g, (10~55Hz) 6h,
(55~2000Hz), (35 \pm 5)min
 $\Delta R \leq \pm 2\%R$, $\Delta(U_{ab}/U_{ac}) \leq \pm 2\%$
- 耐湿 Moisture Resistance
 $+25^\circ C \sim 65^\circ C$, RH: 90%~98%,
10times, 24h/times
 $\Delta R \leq \pm 10\%R$, $R_{ins} \geq 100M\Omega$
- 高温寿命 Life (High Temperature)
 $70^\circ C$, 0.5W, 1000h;
 $\Delta R \leq \pm 10\%R$, $\Delta(U_{ab}/U_{ac}) \leq \pm 2\%$
- 旋转寿命 Rotational life
200 turns; $\Delta R \leq \pm 5\%R$
- 高温贮存 High temperature exposure
 $+125^\circ C$ (250 \pm 8h);
 $\Delta R \leq \pm 12\%R$, $\Delta(U_{ab}/U_{ac}) \leq \pm 2\%$, $R_i \geq 1G\Omega$
- 低温工作 Low temperature operating
 $-55^\circ C$, $U_{max} 200V$;
 $\Delta R \leq \pm 2\%R$, $\Delta(U_{ab}/U_{ac}) \leq \pm 2\%$
- 浸渍 Immersion
无连续气泡冒出
No continuous stream of bubbles emitted

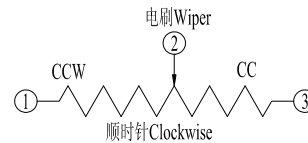
■ 物理特性 Physical characteristics

- 启动力矩 Operating torque: $\leq 30mN \cdot m$
- 标志: 型号、阻值、阻值允许偏差代码、生产日期
Marking: Type, Resistance, Tolerance code, production date
- 标准包装 Standard package: 100pcs/box

■ 外形尺寸图 Dimensions



■ 电路图 Circuit diagram



■ 标称阻值表

Nominal resistance table

阻值(Ω)Resistance (in ohms)	
100	20K
200	50K
500	100K
1K	200K
2K	500K
5K	1M
10K	

■ 订货指南 Ordering information

WIW31-10K-K

型号 Type - 标称阻值 Rated Resistance

允许偏差 Tolerance